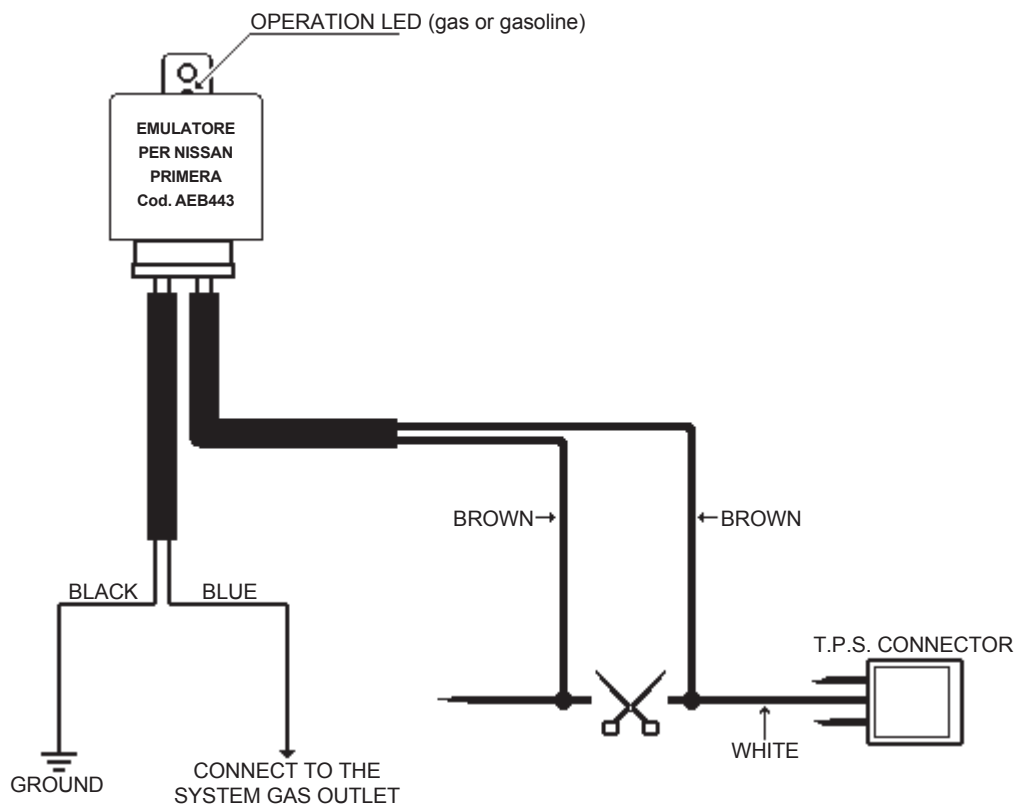


**EMULATOR NISSAN PRIMERA Code AEB443.** The emulator is capable of eliminating noisy chugging that you can have on the silencer after the car gas transformation, by modifying the T.P.S. signal during the gas running. It is used on the following car:

**Nissan Primera 1.6i 16v Multipoint**

To install the emulator on different cars from the ones mentioned above, please contact A.E.B. Technical Service.

The emulator AEB443 has a LED that indicates its operation:



The AEB443 emulator switches on during the gas running and switches off during the gasoline running, thus automatically resetting the connections to the car original electrical system; this applies also in case of failure, thus allowing the user to drive the car with gasoline and reach a service point for checking.